

Specifications

Supply voltage:	120/240 VAC @ 50-60 Hz.
Consumption:	5 watts max.
Sensor inputs:	LC80: (1) four-wire flow switch LC82: (2) four-wire flow switches
Sensor supply:	13.5 VDC @ 100 mA
Contact type:	LC80: (1) SPDT relay LC82: (2) SPDT relays
Contact rating:	250 VAC @ 10A
Contact latch:	LC80: N/a LC82: Select ON/OFF
Contact delay:	0-60 seconds
LED indication:	Sensor, power and relay status
Electronics temp.:	F: -40° to 158° C: -40° to 70°
Enclosure type:	35 mm DIN rail
Encl. material:	PP, UL94VO
Classification:	General purpose
Certificate:	CSA: LR 79326
CE compliance:	EN 50082-2 immunity EN 55011 emission EN 61010-1 safety



Description

The general purpose controller is offered in two versions with 1 or 2 relays and 1-2 sensor inputs. The LC80 provides a single channel low flow switch with one sensor input. The LC82 provides a dual channel low flow switch with two sensor inputs. Package the controller with any of our liquid or gas flow switches. The controller provides a low flow shut off for pump or process protection. We recommend that an override switch be placed across the relay for momentary use during system restart.

Features

- ✓ Fail-safe relay control of pumps and valves with 0-60 second time delay
- ✓ PP 35 mm DIN enclosure with removable terminal strips
- ✓ LED indicators provide user with power, sensor and relay status

Flow-Point

Ordering

LC8 -1001

Contact(s) / input(s) (1) (2) (3) (4)
 0 1 SPDT relay / 1 sensor
 2 2 SPDT relays / 2 sensors

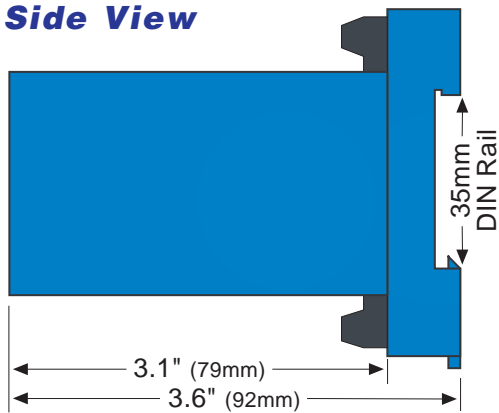


Ordering Notes

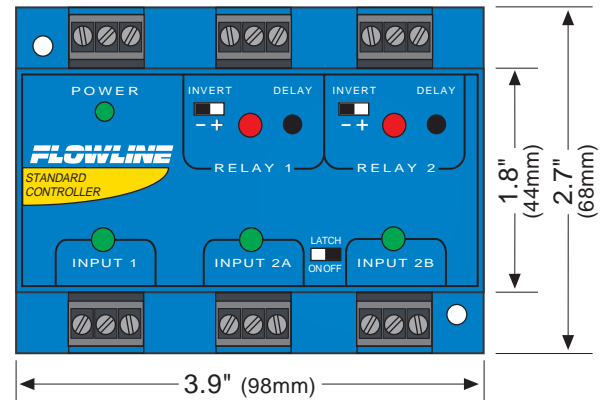
- 1) Select the best configuration based upon your control requirements. The following are the typical applications for each type:
 LC80: Single low flow switch
 LC82: Dual low flow switch
- 2) To factory configure for 240 VAC, place an E at the end of the P/N: (ie: LC80-1001-E).
- 3) To order the CE configuration, place CE at the end of the P/N: (ie: LC82-1001-CE).
- 4) For field mount installation in a NEMA 4X polycarbonate windowed enclosure, order the LM94-1001 (single controller box) or the LM95-1001 (two controller box).

Flow-Point™ Compact Relay Flow Controller

Side View



Front View



Specifications are subject to change without notice.

Sensors



Liquid

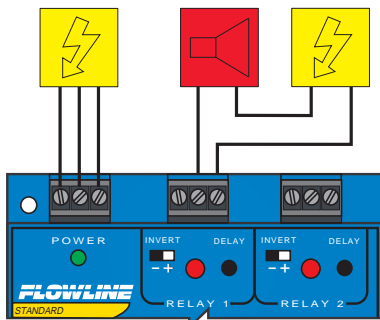
- Best applied in clean water or water-like chemical media that is non-coating or crystallizing



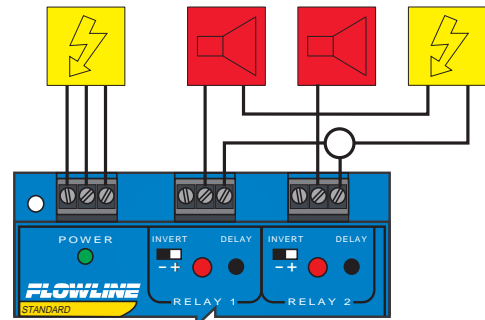
Gas

- Broadly applied in clean air or aggressive media that is non-coating and particle free

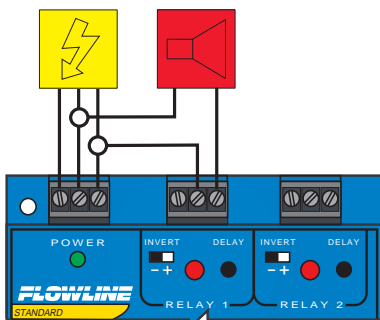
Flow/No-Flow Alarm



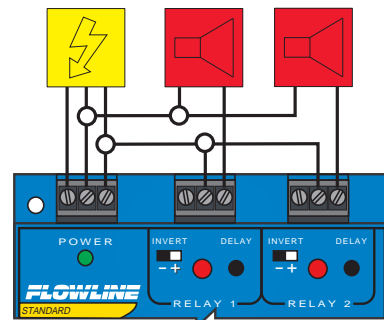
Dual flow/No-Flow Alarm



Flow/No-Flow Alarm



Dual flow/No-Flow Alarm



Warning: The use of an appropriate motor starter or secondary relay is recommended with pumps, valves or alarms to prevent damage to the relay contacts. The use of suppressors (snubbers) is strictly recommended when switching inductive loads.