

# MISCELLANEOUS SIGNALS



## REVOLVING VEHICLE LIGHT

- Twin sealed beam 35,000 CP
- 90 FPM
- Weather & Corrosion resistant

9 1/2" tall X 8 1/2" dia. (specify color)

*Note: Specify mounting for 120 VAC model Pipe or Portable mount.*

RL120 120 VAC  
RL12 12 VDC  
RL24 24 VDC



## STATUS LIGHT

- Up to 100 watt incandescent status or indicator light (non-flashing)
- Weatherproof cast aluminum
- Heat resistant glass lens

7 1/2" tall X 5 1/2" dia. 3.5 lbs.

LF009 Status light (specify color)  
140030 Guard



## REVOLVING FORK TRUCK LIGHT

Economical revolving light

- 90 FPM
- 6, 12, 24, 36, 48 & 72 VDC
- 120 VAC

7 5/8" tall X 5 5/8" dia. (Specify color)

MV2-IND 6 to 72 VDC (Specify volts)  
MV-110 120VAC



## SOLID STATE FLASHERS

Low Profile, economic, electronic incandescent flasher features solid state circuitry and low ampdraw.

- 2 amps @ 12 VDC.
- Available in 12, 24, 36 and 48 DC, 120 AC
- Permanent mount standard, available in magnetic mount with cigarette lighter plug-in.
- Fresnel lens in: Red, Amber, Blue & Clear.

6 1/2" High X 5 3/8" Dia. Wt. 2 lbs

FFLP Solid State Flasher - specify DC Volts  
FFLP-110 Solid State Flasher - 120 AC

## FORK TRUCK LIGHT

- Easy Adjustment - complete with guard
- UL component recognized

ITL-12 12 VDC Forktruck Floodlight  
ITL-24 24 VDC Forktruck Floodlight  
ITL-36 36 VDC Forktruck Floodlight  
ITL-48 48 VDC Forktruck Floodlight  
40B L Mounting Bracket

## VEHICLE WORK LIGHT

One piece rubber, adjustable work light for highway vehicles and fork trucks

6700-12 12 VDC PAR36 Work Light  
6700-24 24 VDC PAR36 Work Light  
6700-36 36 VDC PAR36 Work Light  
6700-48 48 VDC PAR36 Work Light  
6700-12/H7606 12 VDC PAR36 Halogen

7700-12 12 VDC PAR46 Work Light  
7700-24 24 VDC PAR46 Work Light  
7700-12/H7609 12 VDC PAR46 Halogen.



A



B

## TELEPHONE STROBE

Compact telephone strobe signal emits a high intensity flash when the telephone rings.

These state-of-the-art modular signals are made for interior surface mounting with convenient plug-in installation. Model PS-11A includes an integral solid-state relay operated by telephone line ring voltage (switches 115 VAC line power to the strobe), is FCC registered, DOC (Canada) certified, and UL listed. Other models are powered directly from low voltage AC or DC, or telephone line ring voltage.

PS-11A-WPW 70,000 CP, 40-130 V, 16-68 Hz + 115 VAC (Item A)  
PS-15A-WPW 8,000 CP, 50-130 V, 20-30 Hz (Item B)  
PS-33A-WPW 25,000 CP, 18-30 VAC/DC (Item B)



## BARRICADE FLASHER

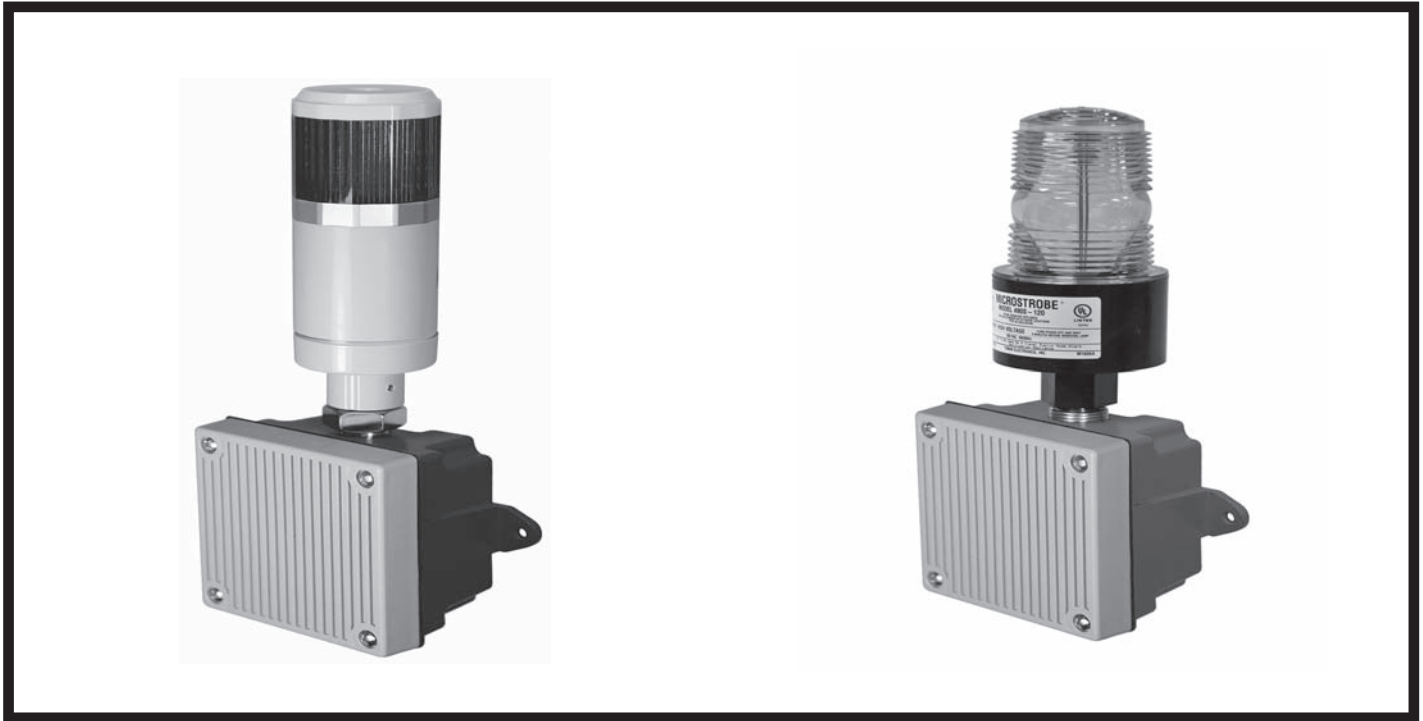
Bi-directional flasher with magnetic base option & lexan lens. (specify color)

- 7" Diameter lens

BL-2W 6 V w/o battery  
BL-2WS same with solar switch  
BL-2WMB 6 V magnetic base w/o battery  
BL-2WSMB Same with magnetic base option & solar switch  
460 6 VDC spring type battery (2 needed)



# MULTI-TONE HORN & LED OR STROBE COMBO



## 120 VAC MULTI-TONE HORN AND LED COMBO

Select a model specifically for your application, with a single LED light as shown above in either a Steady-Burn or Flashing model in combination with a Multi-Tone Horn offering the following tones: Horn, Bell, March Time Horn, Code-3 Horn, Code-3 Tone, Slow Whoop, Siren, Hi/Lo - all dip switch field selectable.

The Multi-Tone Horn/LED is designed with 1/2" conduit entry at the bottom of the junction box. A small diameter LED is attached to the junction box to provide mounting as an option.

### SPECIFICATIONS:

- Indoor Applications
- Horn Sound Output; 79 to 88 dBA @ 10 Feet depending on tone selection.
- Horn Current Draw: .039 to .050 amps depending on tone selection.
- Heavy duty cast aluminum junction box with two 1/2" female conduit hubs.
- Junction Box Size with Horn: 4 1/8" X 4 1/8" X 2 7/8" Deep.
- Mounting Centers: 5" (3/16" Bolt Holes).
- Long life LEDs lasting over 100,000 hours.
- 24 LEDs per red, amber, & green sections & 12 LEDs per blue and white.
- Current Draw: 20 mA @ 120 AC.
- LED Size: 57 mm Dia. X 150 mm High for one LED Section.

120-MT4-SB-LED

120 VAC Multi-Tone Horn and Steady-Burn Single LED Combo

120-MT4-F-LED

120 VAC Multi-Tone Horn and Flashing/ Steady-Burn Single LED Combo

MT4-115-S

Multi-Tone Horn Back Box with 1/2" Hub on Top (use with Horn)

WBB-S

Single Module LED Steady Burn

STL-110-1

Single Module LED Flashing

STLF-110-1

## 120 VAC MULTI-TONE HORN AND STROBE COMBO

Select a model specifically for your application, with a compact Horn Strobe combo for applications requiring more flash intensity. The above in either a Steady-Burn or Flashing model in combination with a Multi-Tone Horn offering the following tones: Horn, Bell, March Time Horn, Code-3 Horn, Code-3 Tone, Slow Whoop, Siren, Hi/Lo - all dip switch field selectable.

The Multi-Tone Horn/Strobe is designed with a 1/2" conduit entry at the bottom of the junction box. The strobe light used for this combination is the Tomar Brand Microstrobe.

### SPECIFICATIONS:

- Indoor Applications
- Horn Sound Output: 79 to 88 dBA @ 10 Feet depending on tone selection.
- Horn Current Draw: .039 to .050 amps depending on tone selection.
- Heavy duty cast aluminum junction box with two 1/2" female conduit hubs.
- Junction Box Size with Horn: 4 1/8" X 4 1/8" X 2 7/8" Deep.
- Mounting Centers: 5" (3/16" Bolt Holes)
- Microstrobe flash intensity: 1.75 joules per flash, 60-80 FPM
- Current Draw: .04 amps @ 120 VAC
- Microstrobe Size: 5" Tall X 3" Dia
- Specify Lens Color: Amber, Blue, Clear, Green, Red or Purple

120-MT4-STROBE

120 VAC Multi-Tone Horn and Microstrobe Combo  
120 VAC 1/2" Pipe Mount Microstrobe

490S-120

Replacement Strobe Lamp

5001

Replacement Hexan Lens

470S-L

Multi-Tone Horn

MT4-115-S

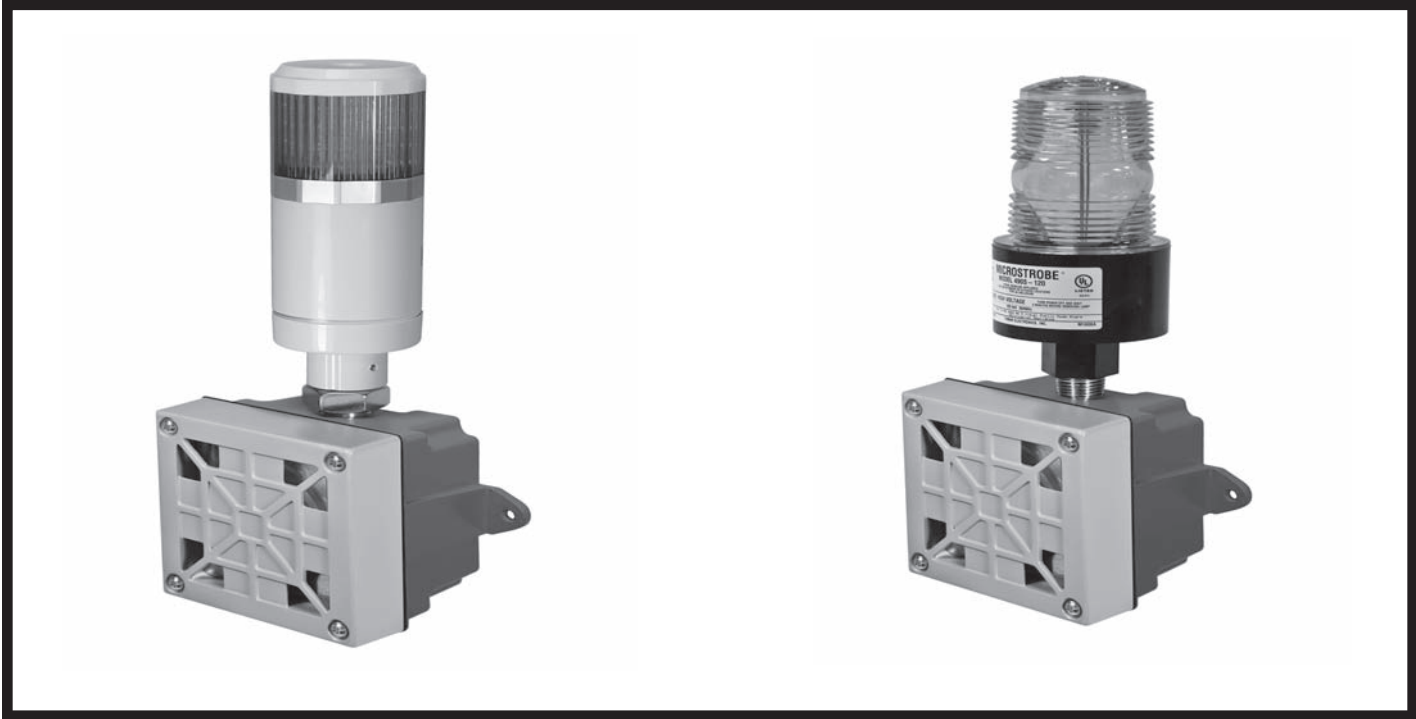
Back Box with 1/2" hub on top (Use with Horn only)

WBB-S

Contact Sales -

- For other voltages - 12 VDC and 24 VDC
- For Two or Three Stack LED Modules in either Steady-Burn or Flashing
- For other voltages: 12 VDC and 24 VDC

# SINGLE-TONE HORN & LED OR STROBE COMBO



## 120 VAC SINGLE-TONE HORN AND LED COMBO

Select a model specifically for your application, with a single LED light as shown above in either a Steady-Burn or Flashing model in combination with a Single-Tone Horn.

The Single-Tone Horn/LED is designed with 1/2" conduit entry at the bottom of the junction box. A small diameter LED is attached to the junction box to provide an option.

### SPECIFICATIONS:

- Indoor Applications
- Horn Sound Output; 95 dBA @ 10 Feet.
- Horn Current Draw: .160 amps.
- Heavy duty cast aluminum junction box with two 1/2" female conduit hubs.
- Junction Box Size with Horn: 4 1/8" X 4 1/8" X 2 7/8" Deep.
- Mounting Centers: 5" (3/16" Bolt Holes).
- Long life LEDs lasting over 100,000 hours.
- 24 LEDs per red, amber, & green sections & 12 LEDs per blue and white.
- Current Draw: 20 mA @ 120 AC.
- LED Size: 57 mm Dia. X 150 mm High for one LED Section.

120-31T-SB-LED	120 VAC Single-Tone Horn and Steady-Burn Single LED Combo
120-31T-F-LED	120 VAC Single-Tone Horn and Flashing/ Steady-Burn Single LED Combo
31T-115-S	Single Tone horn
WBB-S	Back Box with 1/2" Hub on Top (use for Horn)
STL-110-1	Single Module LED Steady Burn
STLF-110-1	Single Module LED Flashing

## 120 VAC SINGLE-TONE HORN AND STROBE COMBO

shown above in either a Steady-Burn or Flashing model in combination with a Single-Tone Horn. The strobe light used for this combination is the Microstrobe.

The Single-Tone Horn/Strobe is designed with a 1/2" conduit entry at the bottom of the junction box. The strobe light used for this combination is the Microstrobe.

### SPECIFICATIONS:

- 100% weatherproof
- Horn Sound Output: 95 dBA @ 10 Feet
- Horn Current Draw: .160 amps.
- Heavy duty cast aluminum junction box with two 1/2" female conduit hubs.
- Junction Box Size with Horn: 4 1/8" X 4 1/8" X 2 7/8" Deep.
- Mounting Centers: 5" (3/16" Bolt Holes)
- Microstrobe flash intensity: 1.75 joules per flash, 60-80 FPM
- Current Draw: .04 amps @ 120 VAC
- Microstrobe Size: 5" Tall X 3" Dia
- Specify Lens Color: Amber, Blue, Clear, Green, Red or Purple

120-31T-STROBE	120 VAC Single-Tone Horn and Microstrobe Combo
490S-120	120 VAC 1/2" Pipe Mount Microstrobe
5001	Replacement Microstrobe Lamp
470S-L	Replacement Hexan Lens
31T-115-S	Single Tone horn
WBB-S	Back Box with 1/2" Hub on Top (Use with Horn Only)

- Contact Sales -
- For Two or Three Stack LED Modules in either Steady-Burn or Flashing.
  - For Weatherproof LED applications
  - For other voltages - 12 VDC and 24 VDC